

Nombre _____ Fecha _____

1 Resta.

$6 - 4$	1 2 3 4 5 6 7 8 9	$6 - 4 = 2$
---------	-------------------	-------------

$7 - 5$	1 2 3 4 5 6 7 8 9	$7 - 5 = \square$
---------	-------------------	-------------------

$5 - 4$	1 2 3 4 5 6 7 8 9	$5 - 4 = \square$
---------	-------------------	-------------------

$7 - 2$	1 2 3 4 5 6 7 8 9	$7 - 2 = \square$
---------	-------------------	-------------------

$4 - 1$	1 2 3 4 5 6 7 8 9	$4 - 1 = \square$
---------	-------------------	-------------------

$8 - 3$	1 2 3 4 5 6 7 8 9	$8 - 3 = \square$
---------	-------------------	-------------------

$9 - 6$	1 2 3 4 5 6 7 8 9	$9 - 6 = \square$
---------	-------------------	-------------------

$3 - 2$	1 2 3 4 5 6 7 8 9	$3 - 2 = \square$
---------	-------------------	-------------------

$6 - 3$	1 2 3 4 5 6 7 8 9	$6 - 3 = \square$
---------	-------------------	-------------------

Nombre _____ Fecha _____

1 Completa y suma.

$$4 + 2 + 2 = \square$$

Arrows point from 4 and 2 to a box containing 6, and from the second 2 to a box containing 2.

$$6 + 2 = \square$$

$$6 + 2 + 3 = \square$$

Arrows point from 6 and 2 to an empty box, and from 3 to another empty box.

$$\square + \square = \square$$

$$5 + 3 + 4 = \square$$

Arrows point from 5 and 3 to an empty box, and from 4 to another empty box.

$$\square + \square = \square$$

$$3 + 3 + 5 = \square$$

Arrows point from 3 and 3 to an empty box, and from 5 to another empty box.

$$\square + \square = \square$$

$$8 + 7 + 4 = \square$$

Arrows point from 8 and 7 to an empty box, and from 4 to another empty box.

$$\square + \square = \square$$

$$7 + 3 + 4 = \square$$

Arrows point from 7 and 3 to an empty box, and from 4 to another empty box.

$$\square + \square = \square$$

2 Suma.

$$5 + 1 + 3 = \square$$

$$5 + 2 + 3 = \square$$

$$6 + 1 + 2 = \square$$

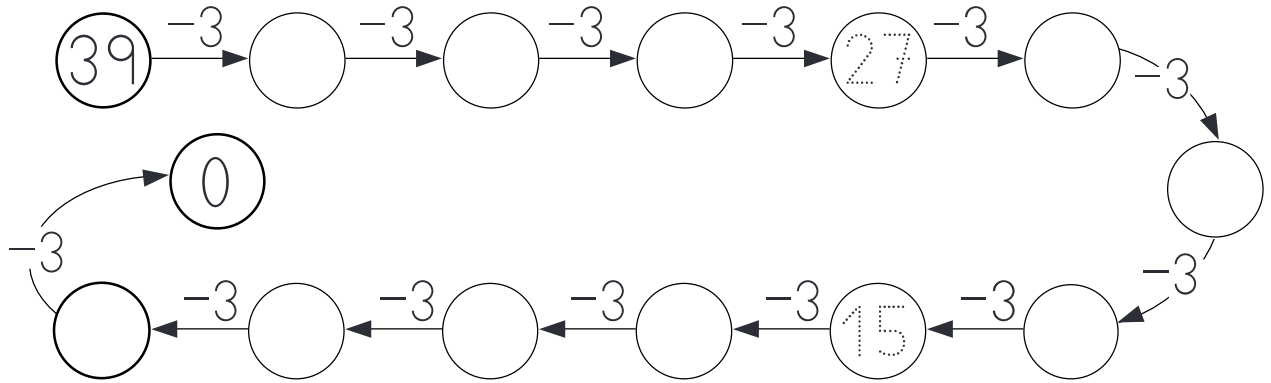
$$4 + 2 + 5 = \square$$

$$4 + 3 + 3 = \square$$

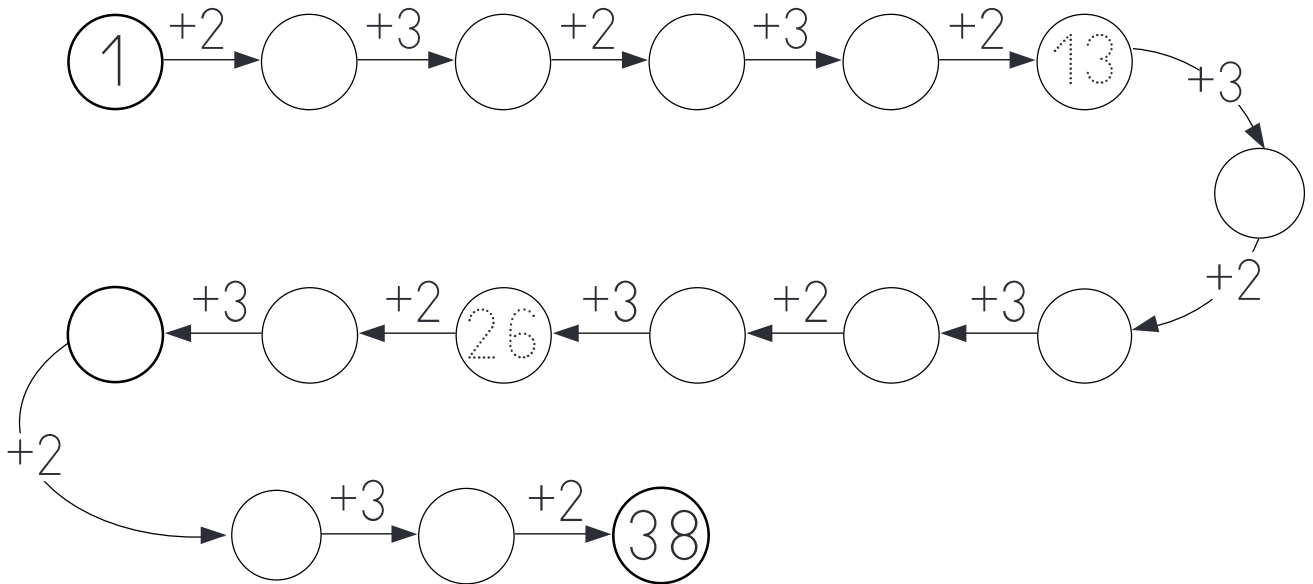
$$9 + 1 + 7 = \square$$

Nombre _____ Fecha _____

1 Completa.



2 Completa.



3 Escribe el número que falta.



Nombre _____ Fecha _____

1 Cuenta y completa las restas.

$15 - 9 = \boxed{6}$

1	2	3	4	5	6	7	8	9	10	11	12	13	14	15	16	17	18	19
---	---	---	---	---	---	--------------	--------------	--------------	---------------	---------------	---------------	---------------	---------------	---------------	----	----	----	----

$11 - 5 = \square$

1	2	3	4	5	6	7	8	9	10	11	12	13	14	15	16	17	18	19
---	---	---	---	---	---	---	---	---	----	----	----	----	----	----	----	----	----	----

$13 - 8 = \square$

1	2	3	4	5	6	7	8	9	10	11	12	13	14	15	16	17	18	19
---	---	---	---	---	---	---	---	---	----	----	----	----	----	----	----	----	----	----

$14 - 7 = \square$

1	2	3	4	5	6	7	8	9	10	11	12	13	14	15	16	17	18	19
---	---	---	---	---	---	---	---	---	----	----	----	----	----	----	----	----	----	----

$12 - 8 = \square$

1	2	3	4	5	6	7	8	9	10	11	12	13	14	15	16	17	18	19
---	---	---	---	---	---	---	---	---	----	----	----	----	----	----	----	----	----	----

$19 - 12 = \square$

1	2	3	4	5	6	7	8	9	10	11	12	13	14	15	16	17	18	19
---	---	---	---	---	---	---	---	---	----	----	----	----	----	----	----	----	----	----